

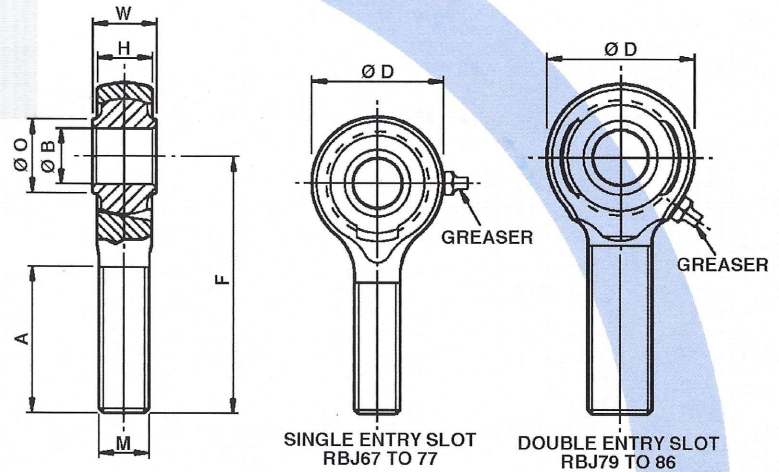
Imperial Male Rod End Bearings, Metal to Metal Entry Slot construction, Ground track

Rod End housing

Nickel chromium molybdenum steel
Heat treated to 80/90 tons/in²
Tensile
Phosphated all over

Ball

1% carbon chromium steel
Heat treated
Phosphated all over



For tight fit add suffix 'TF' to part no. Eg. RBJ71UTF
Suffix 'G' in part no. denotes grease nipple

Rose part no	B	W	H	O	D	F	A	M		X	Max static radial load	Weight
	Bore dia	Ball width	Head width	Ball face dia	Head dia	Centre length	Thread length	Thread size	Thread hand	Angle		
RBJ	+0.0025 -0.0025	+0.000 -0.005	+0.005 -0.005	Min	+0.010 -0.010	+0.010 -0.010	+0.060 -0.030	UNF-2A		deg	lbf	lb
67U	.2500	.375	.320	.375	.812	1.625	1.062	.3125 - 24	RH	22	2800	.075
68U	.2500	.375	.320	.375	.812	1.625	1.062	.3125 - 24	LH	22	2800	.075
70U	.3125	.437	.375	.437	.937	1.875	1.250	.3750 - 24	RH	21	4400	.095
71U	.3125	.437	.375	.437	.937	1.875	1.250	.3750 - 24	LH	21	4400	.095
	+0.0025 -0.0025	+0.000 -0.005	+0.005 -0.005	Min	+0.030 -0.010	+0.030 -0.010	+0.060 -0.030					
73U	.3750	.562	.480	.562	1.218	2.375	1.625	.5000 - 20	RH	22	6300	.217
74U	.3750	.562	.480	.562	1.218	2.375	1.625	.5000 - 20	LH	22	6300	.217
76U	.5000	.750	.640	.750	1.625	3.000	2.000	.6250 - 18	RH	22	11200	.485
77U	.5000	.750	.640	.750	1.625	3.000	2.000	.6250 - 18	LH	22	11200	.485
	+0.0050 -0.0025	+0.000 -0.005	+0.005 -0.005	Min	+0.030 -0.010	+0.030 -0.010	+0.060 -0.030					
79GU	.6250	.875	.750	.875	1.937	3.500	2.375	.7500 - 16	RH	21	17500	.690
80GU	.6250	.875	.750	.875	1.937	3.500	2.375	.7500 - 16	LH	21	17500	.690
82GU	.7500	.875	.812	1.000	2.125	4.000	2.750	.8750 - 14	RH	16	25000	.880
83GU	.7500	.875	.812	1.000	2.125	4.000	2.750	.8750 - 14	LH	16	25000	.880
85GU	1.0000	1.375	1.0000	1.375	3.000	5.250	3.500	1.2500 - 12	RH	24	41000	2.550
86GU	1.0000	1.375	1.0000	1.375	3.000	5.250	3.500	1.2500 - 12	LH	24	41000	2.550

Dimensions in inches

Diametral clearance		
Bore size	Normal fit inches	Tight fit inches
67U to 74U	0 to .0013	0 to .0007
76U to 83U	0 to .0016	0 to .0008
85U to 86U	0 to .0019	0 to .0010

For other sizes and options please contact Rose Bearings.

Please consult Rose Bearings for availability of bearings in this series.

Rose Bearings operates a policy of continual improvement, and therefore reserves the right to revise specifications without notice.

Rose Bearings Ltd - Doddington Road, Lincoln LN6 3RA UK TEL: 01522 500933 FAX: 01522 696485